

TWO HANDLE LAVATORY CENTERSET FAUCETS

Models

991512

Finish:

Chrome/Brush nickel/ORB

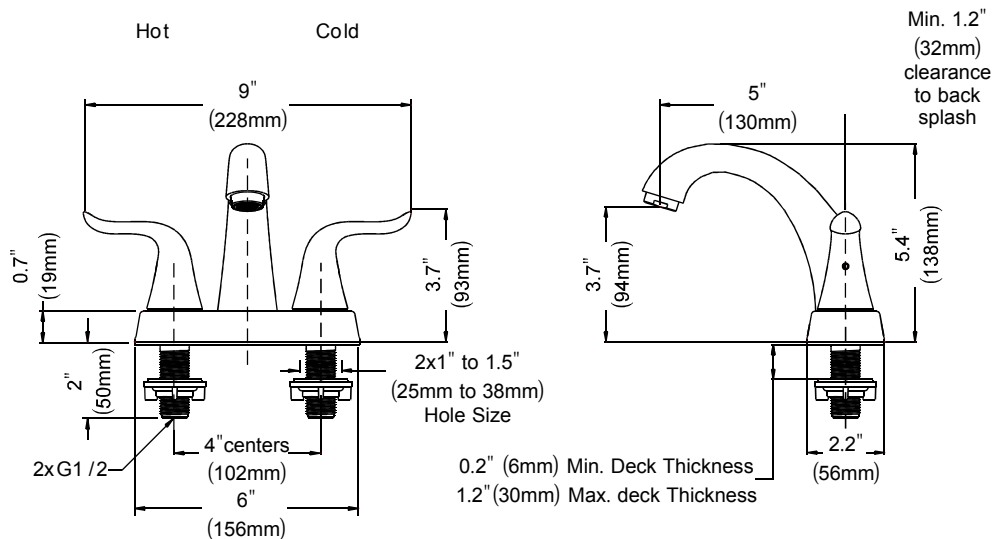
You may need



For easy installation of your faucet you will need:

To READ ALL the instructions completely before beginning.

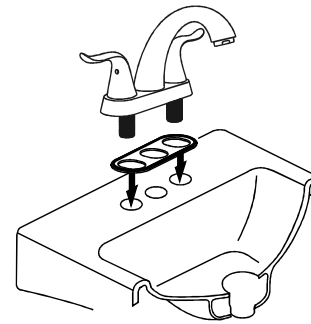
To READ ALL warnings, care, and maintenance information.



OPERATION

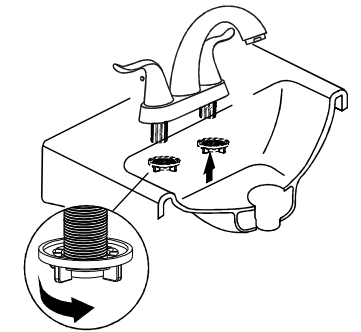
- Double lever style handles
- Maximum handle(s) rotation angle is 90° to full on
- Rotate hot side counter clockwise to open (clockwise to close)
- Rotate cold side clockwise to open (counter clockwise to close)

1



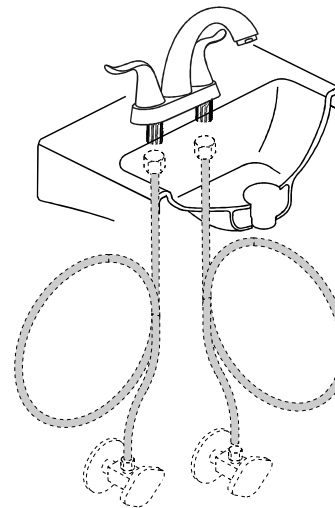
Provided with necessary models.

2



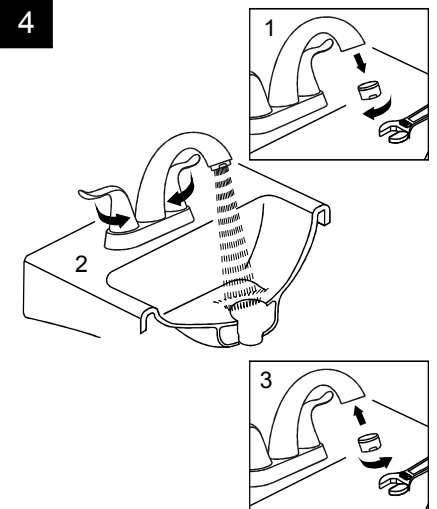
Attach the mounting nut to the hot and cold threaded mounting shanks and tighten faucet to basin.

3

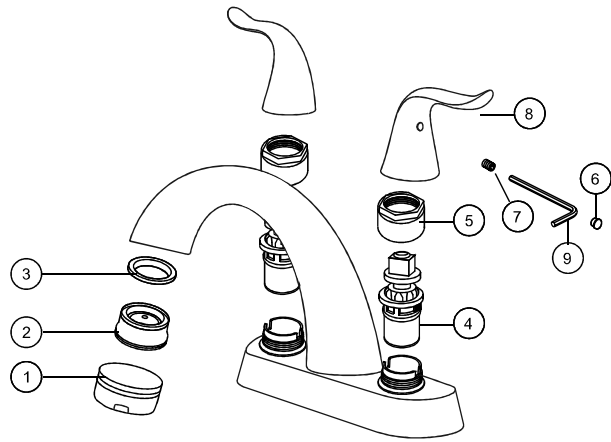


Attach supply lines (**not included**). Do not overtighten. Turn water back on.

4



To flush debris from the plumbing system: Remove the aerator by unthreading using the included aerator tool P provided with select models. Run hot and cold water for 15 seconds. Replace the aerator.



Maintenance

If faucet exhibits very low flow:

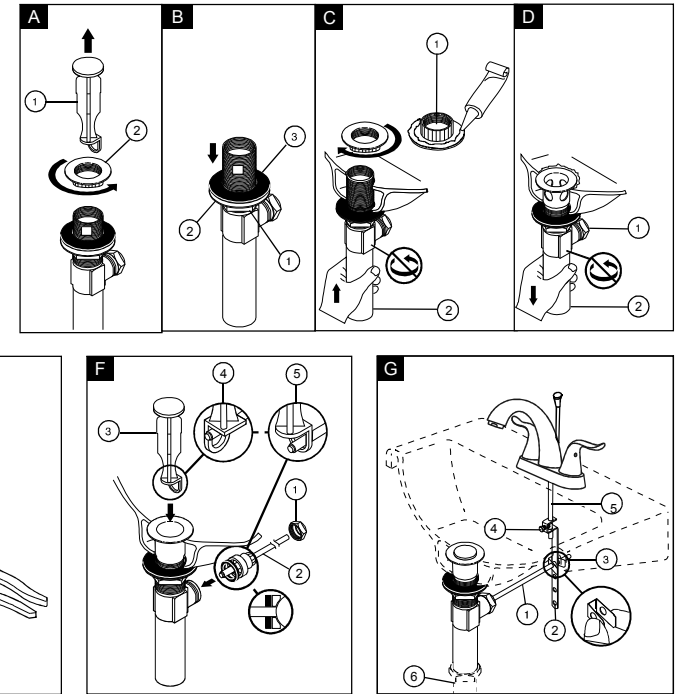
- A. Remove and clean aerator (2) using the included aerator tool P provided with select models.,
- B. Shut off water supply valves.
- Replace valve assembly (4).
- *When reinstalling parts, make sure bonnet nut (5) is tightened securely with a wrench.

If faucet leaks from under handle:

- Using a wrench, ensure bonnet nut (5) is tight
- If leak persists:
- Shut off water supply valves.
- Replace valve assembly (4).
- *When reinstalling parts, make sure bonnet nut (5) is tightened securely with a wrench.

If faucet leaks from spout outlet:

- Shut off water supply valves.
- Replace valve assembly (4).
- *When reinstalling parts, make sure bonnet nut (5) is tightened securely with a wrench.
- *Install valve assembly(4) correctly for proper handle rotation.



- A. Remove stopper (1) and flange (2).
- B. Screw nut (1) all the way down. Push washer (2) and gasket (3) down.
- C. Apply silicone to underside of flange (1). Insert body (2) into sink. Screw flange (1) into body (2).
- D. Pivot (1) must face faucet. Pull assembly (2) down firmly and hold in place.

- DO NOT TWIST .
- E. Tighten nut / washer / gasket (1), clean off excess silicone (2).
- DO NOT TWIST
- F. Remove pivot nut (1). Install horizontal rod (2) and stopper(3) as removable (4) or non-removable(5).
- Hand tighten pivot nut (1).
- G. Attach horizontal rod (1) to strap (2) using clip (3).
- Insert lift rod (4) into strap and tighten

