

TWO HANDLE LAVATORY CENTERSET FAUCETS

Models

991514

Finish:

Chrome/Brush nickel/ORB



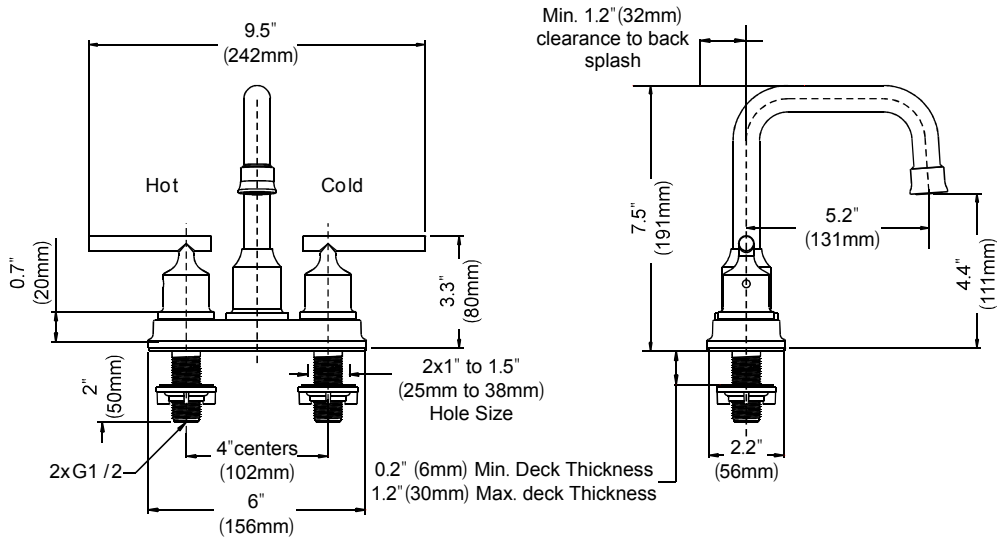
You may need



For easy installation of your faucet you will need:

To READ ALL the instructions completely before beginning.

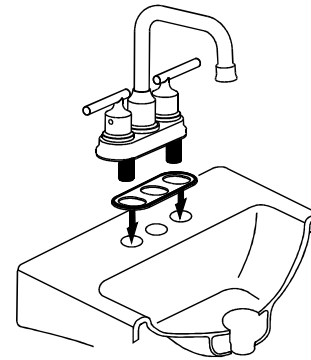
To READ ALL warnings, care, and maintenance information.



OPERATION

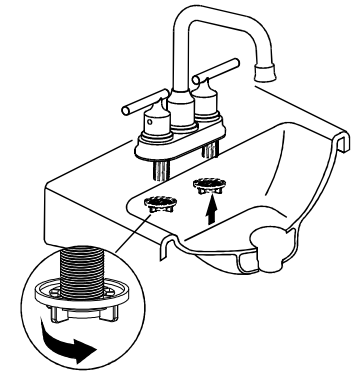
- Double levers style handles
- Maximum handle(s) rotation angle is 90° to full on
- Rotate hot side counter clockwise to open (clockwise to close)
- Rotate cold side clockwise to open (counter clockwise to close)

1



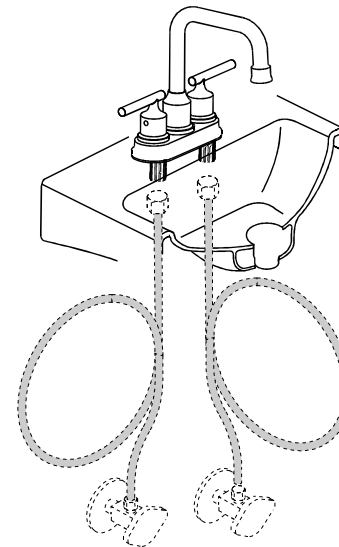
Provided with necessary models.

2



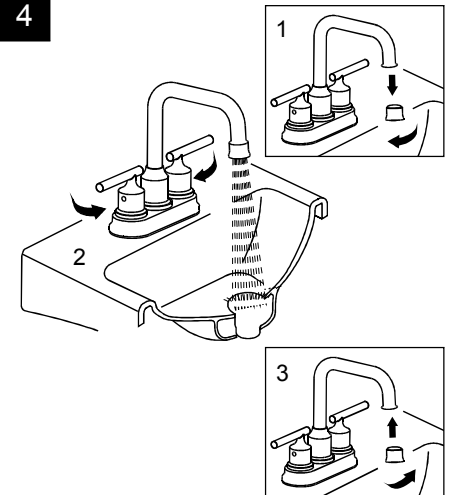
Attach the mounting nut to the hot and cold threaded mounting shanks and tighten faucet to basin.

3

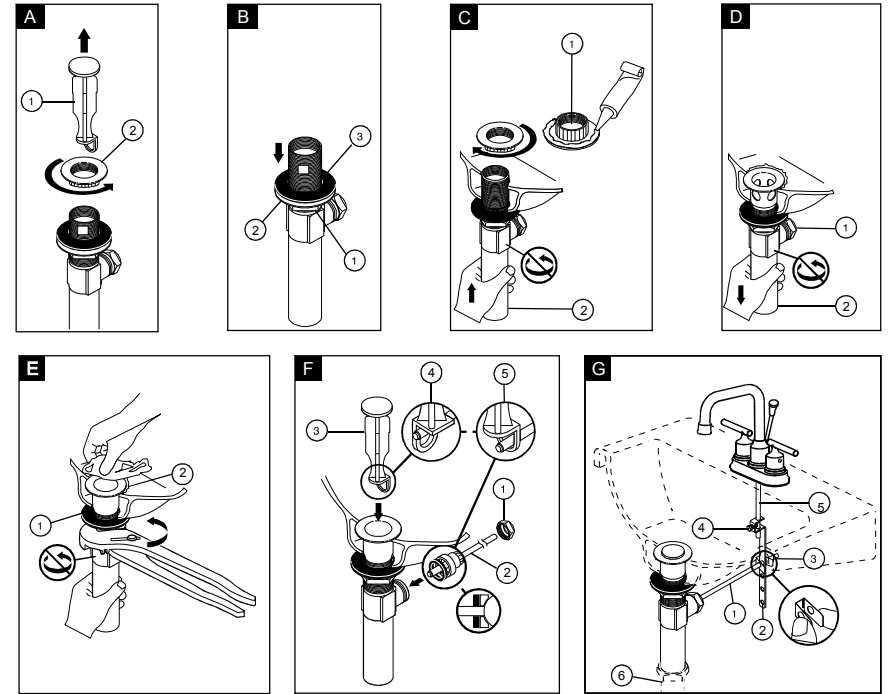
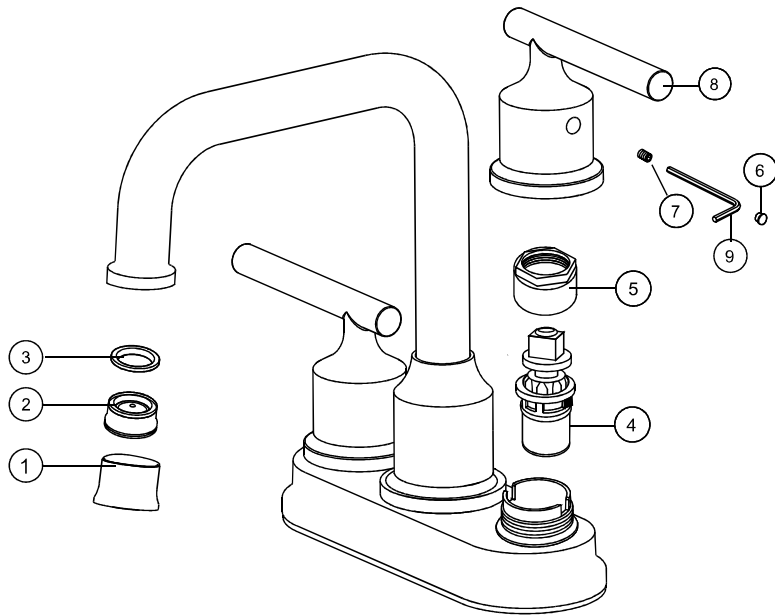


Attach supply lines (not included). Do not overtighten. Turn water back on.

4



To flush debris from the plumbing system: Remove the aerator by unthreading by hand. Run hot and cold water for 15 seconds. Replace the aerator.



Maintenance

If faucet exhibits very low flow:

A. Remove and clean aerator(2) with hand,

B. Shut off water supply valves.

Replace valve assembly (4).

*When reinstalling parts, make sure bonnet nut (5) is tightened securely with a wrench.

If faucet leaks from under handle:

Using a wrench, ensure bonnet nut (5) is tight

If leak persists:

Shut off water supply valves.

Replace valve assembly (4).

*When reinstalling parts, make sure bonnet nut (5) is tightened securely with a wrench.

If faucet leaks from spout outlet:

Shut off water supply valves.

Replace valve assembly (4).

*When reinstalling parts, make sure bonnet nut (5) is tightened securely with a wrench.

*Install valve assembly(4) correctly for proper handle rotation.

A. Remove stopper (1) and flange (2).

B. Screw nut (1) all the way down. Push washer (2) and gasket (3) down.

C. Apply silicone to underside of flange (1). Insert body (2) into sink. Screw flange (1) into body (2).

D. Pivot (1) must face faucet. Pull assembly (2) down firmly and hold in place.

DO NOT TWIST .
E. Tighten nut / washer / gasket (1), clean off excess silicone (2).

DO NOT TWIST
F. Remove pivot nut (1). Install horizontal rod (2) and stopper(3) as removable (4) or non-removable(5).

Hand tighten pivot nut (1).

G. Attach horizontal rod (1) to strap (2) using clip (3).

Insert lift rod (4) into strap and tighten

