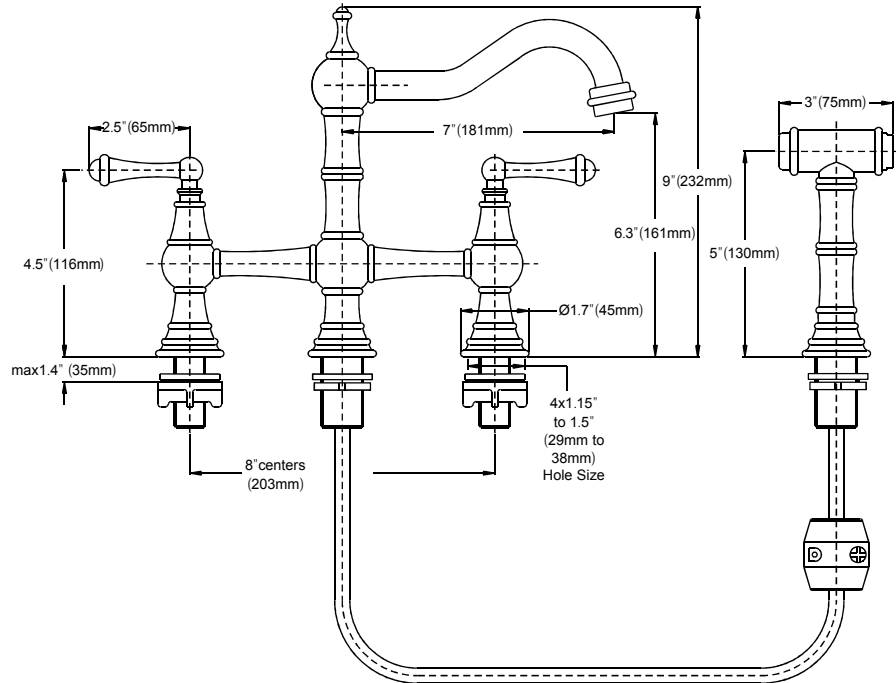


## TWO HANDLE WASHERLESS KITCHEN FAUCET

For easy installation of your you will need:

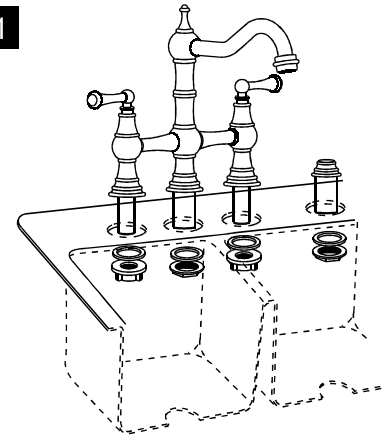
To READ ALL the instructions completely before beginning.



### OPERATION

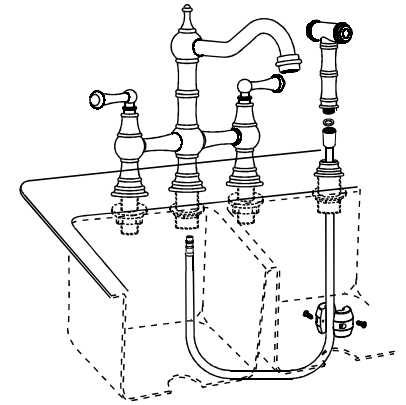
- Lever style handles
- Maximum handle(s) rotation angle is 90° to full on
- Rotate hot side counterclockwise to open (clockwise to close)
- Rotate cold side clockwise to open (counterclockwise to close)

1



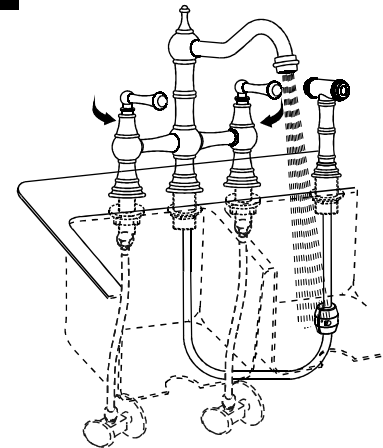
SHUT OFF WATER SUPPLIES.  
Remove old faucet. Place faucet through mounting holes in sink.  
Option: If sink is uneven, use silicone under the escutcheon . Secure faucet to sink using locknuts provided.

2



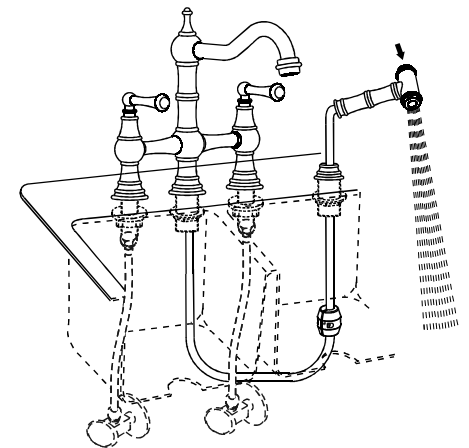
Mount spray support in far right hole in sink.  
Insert spray hose down through the support and up though center hole of sink.

3



CONNECT TO WATER SUPPLIES (not included).  
Do not overtighten.

4



FLUSH SYSTEM/CHECK FOR LEAKS. Remove and clean aerator , turn faucet handles all the way on . Turn on hot and cold water supplies and flush water lines for one minute.

Important: This flushes away any debris that could cause damage to internal parts.  
Check all connections at arrows for leaks. Replace aerator