

Installation instructions

2311400

2311400C

2311400D

Application

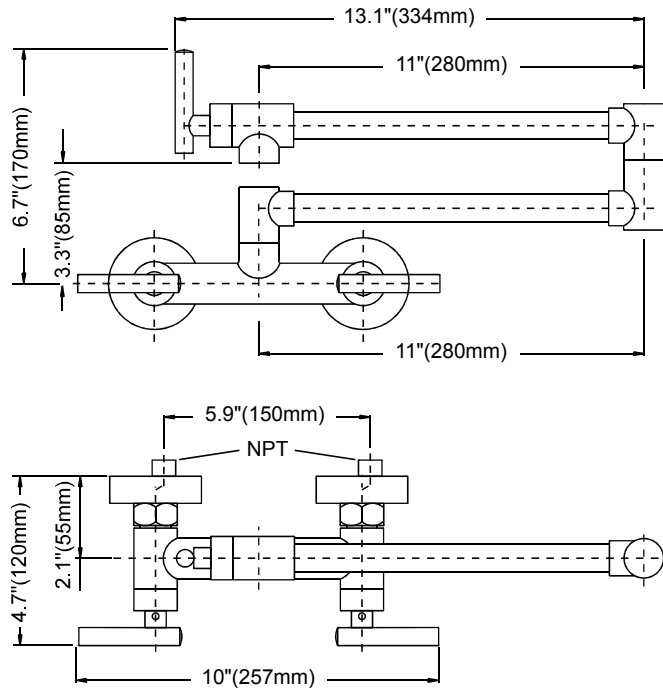
Faucet are designed for delivering cold and hot water from a main supply. Faucet can be positioned above sinks or stoves and the articulated nature of the spout enables the outlet to be conveniently positioned above pots / pans as required.

Installation

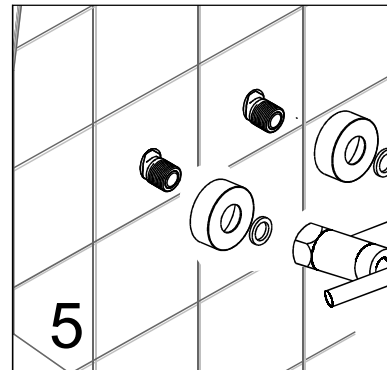
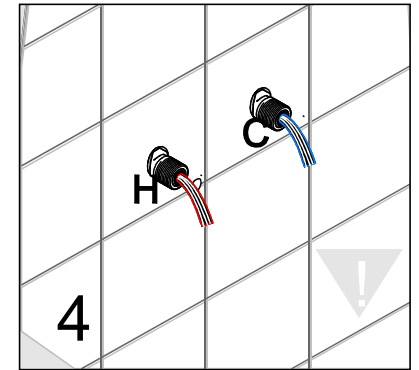
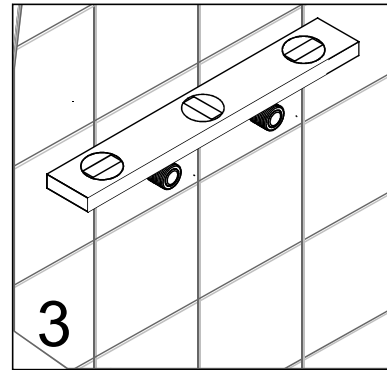
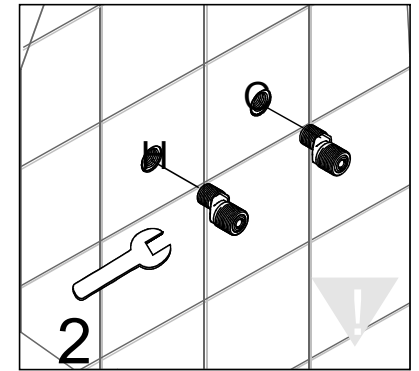
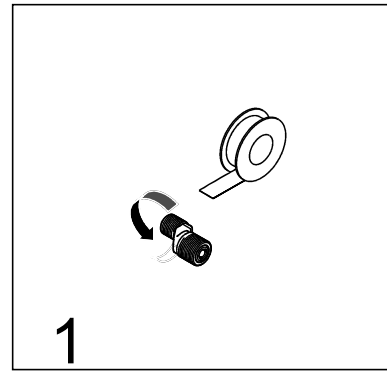
Note:

When installing on plasterboard walls (not solid walls) it must be assured that an appropriate reinforcement is in place to ensure sufficient strength.

Flush pipes thoroughly!



unit: inch (mm)



- 'S' unit be bound with water seal tape
- Connect the 'S' unit the connector of hot water pipe and cold water pipe , The left pipe is hot water ,the right is cold water
- Keep the distance and balaclava between the 'S' unit in accordance with requirement
- Before installing the valves, clean the water pipe thoroughly to avoid dirt and deposits**
- Assemble the main body on the 'S' unit
Fasten the hexagon locking nut and 'S'unit by using special tools

