

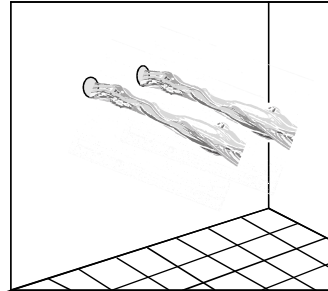
# Installation instructions

2310101

2310101C

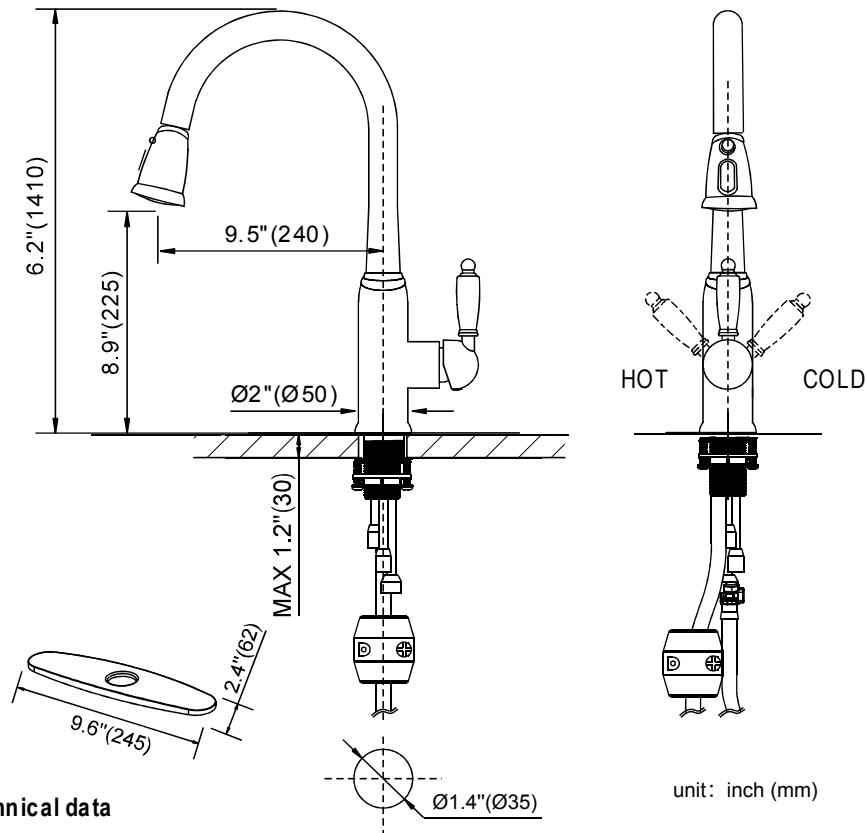
## Operating conditions

Recommended flow temperature  $\leq 65^{\circ}\text{C}$   
 Maximum flow temperature momentary  $\leq 90^{\circ}\text{C}$   
 Minimum flow pressure 1 bar  
 Maximum flow pressure 5 bar  
 Recommended operating pressure 3 bar  
 Test pressure 16 bar



## Notes

Before installing the valves, clean the water pipe thoroughly to avoid dirt and deposits



Technical data

1. Screw flexible hoses (15) under the body (1)
2. Attach the O-ring (3) to the base of faucet body
3. Insert the plate(4)and washer(5)under the body
4. Insert washer (7) and SS304 washer (8) through threaded rod (2)
5. Screw hexagonal lock nut (9) on to threaded rod (2) and tighten.
6. Screw the nut (9) with screws (10) to fix the faucet body (1)
7. screw the quick connect (12) and washer (11) onto the brass tube(6).
8. Insert the hose(13) into the quick connect(12)
9. Attach weight (14) to pull-out hose (13)

